

Lens Accessory Focus Demand FDJ-G01

OPERATION MANUAL

Before using the product, make sure to read the "GENERAL SAFETY INFORMATION" and be sure to use the product correctly.

Thank you for purchasing a focus demand FDJ-G01. This focus demand FDJ-G01 is an accessory used to perform focus servo operations of a box type lens. The focus can be operated remotely by using this demand.

This product comes with the following documents:

- Operation Manual "Before Using The Product" (Included with the product)
- Operation Manual "Regulations" (Included with the product)
- Operation Manual (Web)

1 PRODUCT LIST

Make sure all of the following items are included in the packing box. If you find any item missing, please contact your dealer.

- Focus Demand
- Clamper (CR-30)
- Demand Cable
- Operation Manual "Before Using The Product"
- Operation Manual "Regulations"

2 MOUNTING AND CONNECTING

1. Loosen the large and small lock knobs of the clamper supplied with the focus demand, and mount the clamper to the pan handle of the tripod.
2. After mounting the clamper to the pan handle, tighten the large and small lock knobs to secure the clamper.
3. Mate the rose joint of the focus demand with the rose joint of the clamper. Then tighten the mounting knob of the clamper to firmly secure the focus demand.
4. Plug the demand cable into the connector of "TO SERVO CONTROL" on the lens, and the other side into the connector of the focus demand.

3 BASIC OPERATION

3-1. Focusing operation

Turning the operation knob on the focus demand brings the object into focus. The lens is focused on a farther object by turning the operation knob clockwise (as viewed from the operation knob). By turning the operation knob counterclockwise, the lens is focused on a closer object.

3-2. Changing the focus direction

The demand is set at the factory that turning the operation knob clockwise focuses on a farther object. However it can be reversed by shifting the reverse switch of the focus demand to other side. Then, turning the operation knob clockwise focuses on a closer object.

3-3. Adjusting the operation knob torque

Turning the torque adjusting knob on the focus demand clockwise increases the torque for the operation knob's rotation. To decrease the torque, turn it counterclockwise.

3-4. Selecting the focusing characteristics curve

Focus characteristics curve selector switch can be used to select one of the focus curves from the following three modes.

Standard mode :

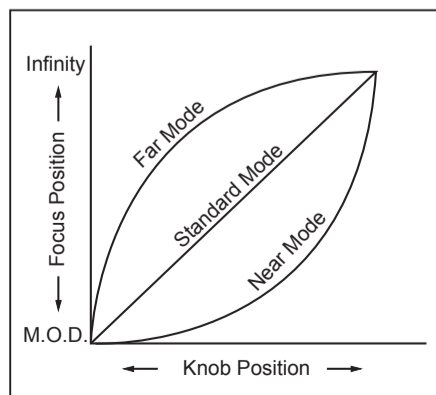
Standard characteristics where the focus lens group is moved almost linearly, relative to the operation knob rotation angle.

Far mode :

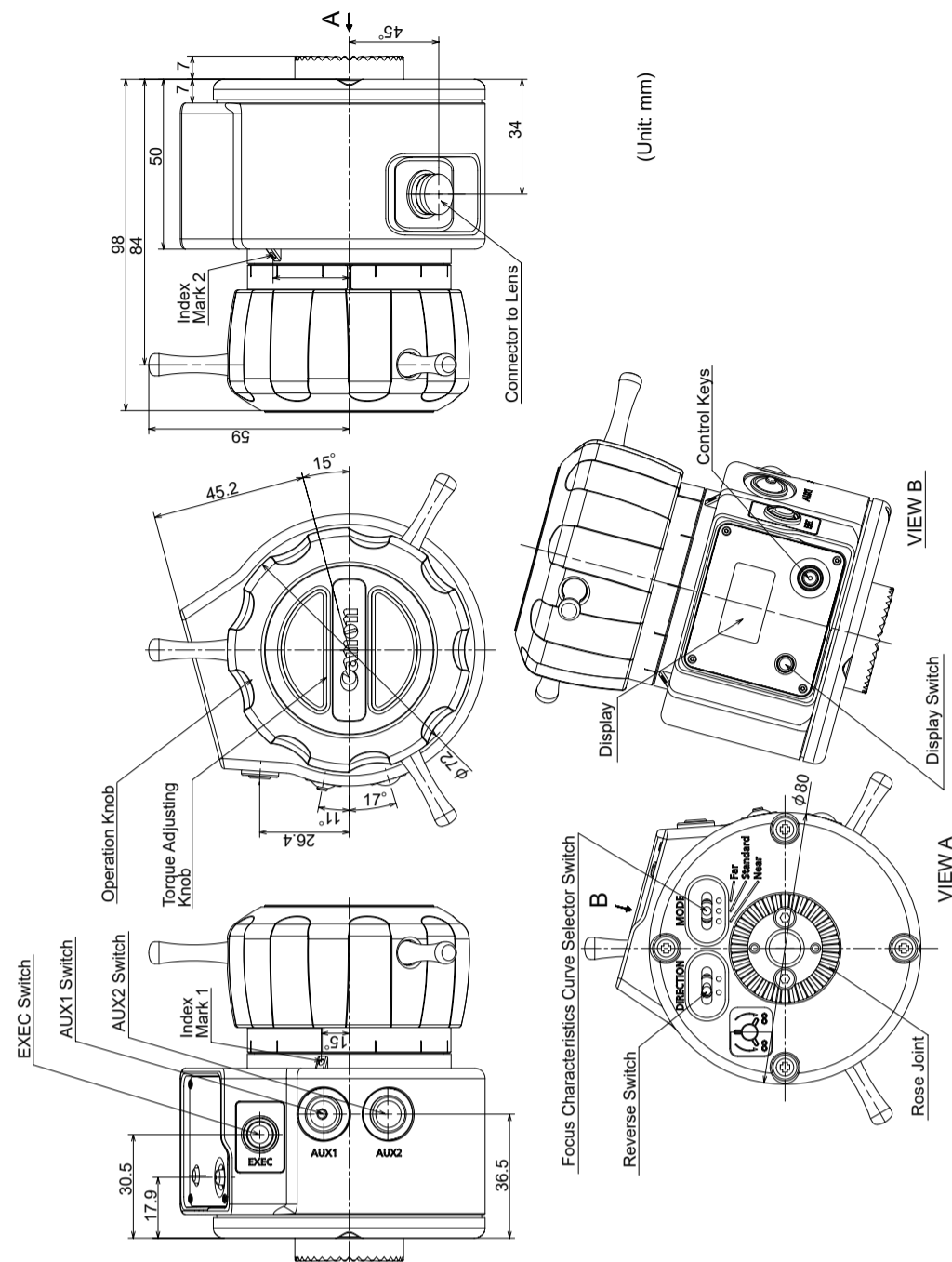
Focusing resolution for farther objects is intentionally increased. This enables fine and easy adjustment work for farther objects near to infinity.

Near mode :

Focusing resolution for closer objects is intentionally increased. This enables fine and easy adjustment work for closer objects near to M.O.D.



[External view]



(Unit: mm)

4 EXPANDED OPERATION AND FUNCTION

The following functions can be assigned to either AUX1 switch, AUX2 switch or EXEC switch. Refer to "5 Display operation" for the detailed assignment procedures.

4-1. Return operation

While the switch is pressed, the external video picture sent to the TV camera head can be seen on its viewfinder. To use this function (RET1/RET2/RET3), Return function has to be assigned to either AUX1 switch, AUX2 switch or EXEC switch. (The default setting of AUX2 switch at the shipment from the factory is RET1 function.)

4-2. Memory operation

This function is used for the setting when Focus Range Limit, Fine Focus Mode 1, Control Range Limit or Focus Preset functions are assigned. To use this Memory (MEMO) function, Memo function has to be assigned to either AUX1 switch, AUX2 switch or EXEC switch. (The default setting of AUX1 switch at the shipment from the factory is MEMO function.)

4-3. Focus Preset operation

The preset focus position moves from any present focus position to the preset position by pressing the switch. If the operation is cancelled, the focus position returns to the position corresponding to the knob position. Two Focus Preset position can be set at FPr1 and FPr2. To use this function (FPr1/FPr2), set Focus Preset position using the switch which Memo function is assigned after assigning Focus Preset function to either AUX1 switch, AUX2 switch or EXEC switch. Knob operation after Focus Preset operation of focus preset function has two modes, One-Shot mode and Continuous mode which can be selected in Preset screen of display. In One-Shot mode, Focus Preset operation is cancelled by operating the operation knob after the focus position moves to the preset position, and the focus position returns to the position corresponding to the knob position. In Continuous mode, after the focus position moves to the preset position, the focus can be adjusted continuously from the preset position by following the knob operation. Focus Preset operation is cancelled when the switch in which Focus Preset function is assigned is pressed again after the focus position moves to the preset position in Continuous mode. (Focus Preset operation is not cancelled before the focus position reaches the preset position even if the switch is pressed.) When the function which limits the control range of this demand is activated, the focus position does not move to outside of the control range.

Focus Preset operation in One-Shot mode and Continuous mode is also cancelled in the following situations.

1. When Focus Preset allocation is cancelled during the preset operation (ex. During FPr1 operation, the allocation to the switch is cancelled or the switch in which FPr1 is assigned becomes unavailable due to the user switching.)
2. When Focus Range Limit/Fine Focus Mode 1/Control Range Limit function is activated during Focus preset operation
3. When the settings of One-Shot/Continuous modes are changed during Focus preset operation

To set Focus Preset position, focus to the position to set, and press the switch in which Focus Preset function is assigned while MEMO switch is pressed.

*In Continuous mode after Focus preset operation, the focus characteristics curve is fixed in Standard mode.

4-4. IS operation

ON/OFF operation of IS function (Image Stabilizer) becomes possible when used with the lens with IS function. For ON/OFF operation of IS function, IS function has to be assigned to either AUX1 switch, AUX2 switch or EXEC switch.

To activate IS function, press the switch in which IS function is assigned. For details, refer to the operation manual of the lens.

4-5. Talk Back (microphone) operation

While the switch is pressed, the communication with Engineer (ENG) and Producer (PD) becomes possible. To use Talk Back function, Talk Back function has to be assigned to either AUX1 switch, AUX2 switch or the EXEC switch.

4-6. Focus Range Limit function

By limiting the range of the focal length (subject distance), the focusing within the required range becomes possible. This setting is effective for the shooting in the situation where the focus range is fixed on to some extent such as the shooting of the stage performance etc. Set Focus Range Limit using the switch which Memo function is assigned after assigning Focus Range Limit setting function to EXEC switch on the display.

To set Focus Range Limit, focus to the position to set, and press the switch in which Focus Range Limit function is assigned while MEMO switch is pressed. Set Focus Range Limit while observing Indiction Range screen as a general guideline. When set the other side of the range limit, release MEMO switch once, then press the switch in which Focus Range Limit is assigned while pressing MEMO switch again.

To activate Focus Range Limit function, press the switch in which Focus Range Limit function is assigned.

4-7. Fine Focus Mode 1 function

Improves the precision of focusing by limiting the focus range and widen the operation range to the the whole knob operation range. This function is useful in the situation which the fine focus adjustment is required within the fixed focus range. Set Fine Focus Mode 1 function range using the switch in which MEMO function is assigned after assigning this function to EXEC switch on the display.

To set Fine Focus Mode 1 range, focus to the position to set and press the switch in which Fine Focus Mode 1 function is assigned while MEMO switch is pressed. Set the range while observing Indiction Range screen as a general guideline. When set the other side of the range limit, release MEMO switch once, then press the switch in which Fine Focus Mode 1 function is assigned while pressing MEMO switch again.

To activate Fine Focus Mode 1 function, press the switch in which Fine Focus Mode 1 function is assigned.

4-8. Fine Focus Mode 2 function

This function improves the focusing precision at the present focus position without setting the focus mode range (subject distance). This function limits the actual focus mode range. Fine Focus Mode 2 function can be assigned on the display.

To activate Fine Focus Mode 2 function, press the switch in which Fine Focus Mode 2 function is assigned.

*In Fine Focus Mode 2, the focus characteristics curve is fixed in Standard mode.

4-9. Control Range Limit function

By setting the dead zone in the operation range of the demand, the large focus limitation by small rotation angle becomes possible without changing the focus mode range. This function is useful when the alternate focusing, such as shooting of the tennis rally, is required. Set Control Range Limit using the switch which Memo function is assigned after assigning Control Range Limit setting function to EXEC switch on the display.

To set Control Range Limit range, adjust the operation knob to the position to set, and press the switch in which Control Range Limit function is assigned while MEMO switch is pressed. Set Focus Range Limit while observing Indiction Range screen as a general guideline. When set the other side, release MEMO switch once, then press the switch in which Control Range Limit is assigned while pressing MEMO switch again.

To activate Control Range Limit function, press the switch in which Control Range Limit function is assigned.

5 DISPLAY OPERATION

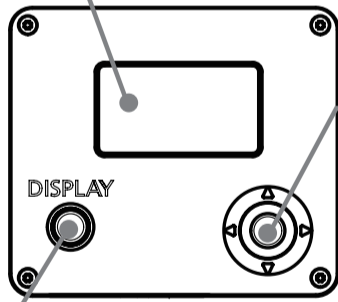
Customizable function

The settings of each function can be changed on the information display on the side of the focus demand by selecting the menu.

5-1. Information display

Display

Activated when the Display switch is pressed.
Turns off automatically if left idle for two minutes.



Control keys

Used to configure all settings shown on the display.
Identified with five key names, depending on how this interface is used.
(See the following table.)

Display switch

Press to activate the display.
One press turns on the display, and another turns it off.

Indiction Range screen is displayed when Display switch is pressed in case that one of Focus Range Limit, Fine Focus Mode 1/2, or Control Range Limit function is assigned to EXEC switch.

5-2. Using the control keys

Key	Operation	Details
Set key	Press (Set)	Press when 『MENU』 is displayed, or when entering a selection.
Right key	Move right (▶)	Can be used when 『▶』 is displayed.
Left key	Move left (◀)	Can be used when 『◀』 is displayed.
Up key	Move up (▲)	Can be used when 『▲』 is displayed.
Down key	Move down (▼)	Can be used when 『▼』 is displayed.

5-3. Top screen

Top screen contains 6 setting/indication items.

Initial top screen

MENU [1]
(EX) NON (A1) Memo
(A2) RET1 [State]

Top screen

1. Go to MENU screen
2. Switch users
3. EXEC switch assignment
4. AUX1 switch assignment
5. AUX2 switch assignment
6. Go to State screen

5-4. MENU screen

Setting items are organized by function. All of these screens are collectively referred to as Menu screen.

To access these screens, select [MENU] on Top screen and press Set key. Initially, User screen is displayed. To access other screens, press left or right.

User screen

◀User ▶ [1]
No.: 1
Name: -----
ResetAll

Switch screen

◀Switch ▶ [1]
(EX) EXEC: NON
(A1) AUX1: Memo
(A2) AUX2: RET1

Preset screen

◀Preset ▶ [1]
Mode: One-Shot

Ctrl screen

◀Ctrl ▶ [5]
Curve: 5

Fine2 screen

◀Fine2 ▶ [1]
Level: Fine

Info screen

◀Info ▶ [1]
Lens Soft

State screen

◀State ▶ [1]
IS: OFF
EXEC: ---
Continu: OFF

5-5. Basic Sequence of Operations

- ① Turn on the camera.
- ② Press Display switch to turn on Display.
- ③ Use Control keys to complete settings. Changes are saved.
- ④ Press Display switch to turn off Display.

[List of Display settings]

Menu Screen	Display Indication	Function	Default Value	Selection/Indication Items
User screen	No.	Switching users	1	0/1/2/3/4/5/6/7/8/9
	Name	Naming users	-	-/A/B/C ~ Z/a/b/c ~ z/0/1/2 ~ 9
	ResetAll	Resetting values		
	Copy	Copying settings to other users		
	Access	Locking function	Unlock	Unlock/Lock
Switch screen	EXEC	Assigning functions to EXEC switch	NON	FRLt/FFM1/FFM2/CRLt/RET1/RET2/RET3/Memo/FPr1/FPr2/IS/ENG/PD/NON
	AUX1	Assigning functions to AUX1 switch	Memo	RET1/RET2/RET3/Memo/FPr1/FPr2/IS/ENG/PD/NON
	AUX2	Assigning functions to AUX2 switch	RET1	
	RET1*	Assigning functions to RET1 switch	RET1	
	RET2*	Assigning functions to RET2 switch	RET2	
Ctrl screen	Curve	Setting focus curve mode	5	1 ~ 9
Fine2 screen	Level	Setting fine adjustment magnification	Fine	Fine/Super/Ultra
Preset screen	Mode	Setting knob operation mode after focus preset operation	One-Shot	One-Shot/Continu
Info screen	Lens	Checking communication between demand and lens		Connected/Non-Connected
	Soft	Checking software information		Software version
State screen	IS	Checking ON/OFF status of IS function		ON/OFF
	EXEC	Checking ON/OFF status of function when either of FRLt/FFM1/FFM2/CRLt functions are assigned to EXEC switch		ON FRLt/ON FFM1/ON FFM2/ON CRLt/OFF/-
	Continu	Displaying ON/OFF status of Focus preset function in Continuous mode		ON/OFF

*RET1 and RET2 of Switch screen are the optional menu. For details, contact your Canon dealer.

[Escape operation]

Any user No. is switched to User 0 setting. Instantly jump to User 0, which is the default setting, from the current user 0-9.

*Not available when the settings are locked.

*After restarting, control reverts to the user before this operation. However, if users are switched after this operation, control revert to that user.

[and] 2 seconds

* Not only Set key but Up key, Down key, Left key and Right key are also used for Escape operation.

[Auto off function]

When Display is ON, Display turns off automatically after two minutes if no control keys are pressed. However, Display remains active in State screen and Indiction Range screen.

5-6. Function that can be set from TOP screen

[Switching users]

Settings for users 0-9 can be configured.

User 1-9	Configure advanced settings for each user needed. Settings for the users can then be saved. (*Default value:1)
User 0	User 0 is the default user. The settings can be adjusted temporarily but not be saved. Setting information is cleared when the user is switched to users 1-9 or the lens is turned off. User 0 is used if an escape operation is performed. Selecting user 0 restores the default settings at the shipment from the factory.

→ → → → or →

[Assigning functions to AUX1/AUX2/EXEC switches]

The following functions can be assigned to each switch. (Multiple functions cannot be assigned to the same switch.) *Switch to the user for whom the settings apply before this operation.

AUX1/AUX2 switch

Display Indication	Function
RET1	RET 1 (*Default setting to AUX2 switch)
RET2	RET2
RET3	RET3
Memo	Memory (*Default setting to AUX1 switch)
FPr1	Focus Preset 1
FPr2	Focus Preset 2
IS	ON/OFF of IS
ENG	Talk Back (Communication with engineer)
PD	Talk Back (Communication with producer)
NON	No function

EXEC switch

Display Indication	Function
FRLt	Focus Range Limit
FFM1	Fine Focus Mode 1
FFM2	Fine Focus Mode 2
CRLt	Control Range Limit
RET1	RET 1
RET2	RET2
RET3	RET3
Memo	Memory
FPr1	Focus Preset 1
FPr2	Focus Preset 2
IS	ON/OFF of IS
ENG	Talk Back (Communication with engineer)
PD	Talk Back (Communication with producer)
NON	No function (*Default setting)

Assigning functions to AUX1 switch

→ → → → → or →

Assigning functions to AUX2 switch

→ × 2 → → → or →

Assigning functions to EXEC switch

→ → → → or →

[Go to State screen]

Press Set key to access State screen of Menu screen.

→ × 2 → → →

5-7. Function that can be set from MENU screen

5-7-1. User screen

[Switching users]

Settings for users 0-9 can be configured.

User 1-9	Configure advanced settings for each user needed. Settings for the users can then be saved. (*Default value:1)
User 0	User 0 is the default user. The settings can be adjusted temporarily but not be saved. Setting information is cleared when the user is switched to users 1-9 or the lens is turned off. User 0 is used if an escape operation is performed. Selecting user 0 restores the default settings at the shipment from the factory.

→ → User → → → or

[Naming users]

Users can be named, as needed.

*Max. digits can be input is 8 digits. A-Z, a-z and 0-9 can be used.

*Switch to the user for whom the settings apply before operation.

→ → User → → × 2 → → or →

[Resetting values]

Reset one user's settings or all users' settings to default values as needed.

*Move the cursor to 'y' and press Set key to initialize the setting.

User: A selected user's settings are reset to the default values.

AllUser: All users' settings (user 0-9) are reset to the default values.

(1) Resetting one user's settings

Reset one user's settings to default values as needed.

→ → User → → × 3 → → → or →

(2) Resetting all users' settings

All users' settings are reset to the default values.

*Not necessary to switch the user before operation.

→ → User → → × 3 → → × 2 → or →

[Copying settings to other users]

Settings can be copied to other users.

*Specify the user for whom the settings are copied to by 'To No.' Then move the cursor to 'y' of "Copy" and press Set key to start copying.(User No. which can be selected are 0-9.)

*Switch to the user for whom the settings apply before operation.

→ → User → → × 4 → → → or →

[Locking function]

To ensure that configured functions cannot easily be changed, the settings of certain functions can be locked. Locking function applies to all the users once it is set.

*Press Set key and enter password, and the message "Lock OK?" is displayed. Then move the cursor to 'y' and press Set key. In locked status, except for the preset data(Focus Preset position setting), position setting of Focus Range Limit, position setting of Fine Focus Mode 1 or position setting of Control Range Limit cannot be changed. *User numbers 0-9 in the user number field indicate the unlocked status. "Lock" in the user number field indicates the locked status.

*No master password is used on this model. The password to be entered each time to lock settings is the password used to unlock them. Therefore, making a note of the password each time is recommended. In case you forget the password, contact Canon or your dealer. Passwords can be blank or input up to 8 digits.

*Default setting is Unlock.

Characters supported in password

Selection Item	(D) _ - ABCDEFGHIJKLMNOPQRSTUVWXYZabcdefghijklmnopqrstuvwxyz0123456789
Max. Digits	8

(D) : Default value

_ : Space

→ → User → → × 5 → → password → → →

5-7-2. Switch screen

[Assigning functions to AUX1/AUX2/EXEC switch]

The following functions can be assigned to each switch. (Multiple functions cannot be assigned to the same switch.) *Switch to the user for whom the settings apply before this operation.

AUX1/AUX2 switch

Display Indication	Function
RET1	RET 1 (*Default setting to AUX2 switch)
RET2	RET2
RET3	RET3
Memo	Memory (*Default setting to AUX1 switch)
FPr1	Focus Preset 1
FPr2	Focus Preset 2
IS	ON/OFF of IS
ENG	Talk Back (Communication with engineer)
PD	Talk Back (Communication with producer)
NON	No function

EXEC switch

Display Indication	Function
FRLt	Focus Range Limit
FFM1	Fine Focus Mode 1
FFM2	Fine Focus Mode 2
CRLt	Control Range Limit
RET1	RET 1
RET2	RET2
RET3	RET3
Memo	Memory
FPr1	Focus Preset 1
FPr2	Focus Preset 2
IS	ON/OFF of IS
ENG	Talk Back (Communication with engineer)
PD	Talk Back (Communication with producer)
NON	No function (*Default setting)

Assigning functions to AUX1 switch



Assigning functions to AUX2 switch



Assigning functions to EXEC switch



5-7-3. Preset screen

[Setting knob operation mode after focus preset operation]

The mode can be selected from the following two modes.

Selection Item	One-Shot	Continu
Operation	Focus Preset is cancelled by focus knob operation, and the focus position returns to the position according to the knob operation position. (*Default setting)	The focus position moves according to the focus position after Focus preset and knob operation range. The function is cancelled when the switch in which Preset function is assigned. After cancelled, the focus position returns to the position according to the knob operation position.



5-7-4. Ctrl screen

[Setting focus curve mode]

The setting of Focus responsiveness can be changed.

Selection Item	1	~	D5	~	9
Function	Large curve		Default setting		Small curve



5-7-5. Fine2 screen

[Setting fine adjustment magnification]

The fine adjustment magnification of Fine Focus Mode 2 can be set among 'Fine', 'Super' or 'Ultra.' By setting the fine adjustment magnification, the focus limitation range for the focus knob rotation range can be changed.

Selection Item	Fine	Super	Ultra
Function	Focus limitation range for focus knob rotation range is 1/2. (*Default setting)	Focus limitation range for focus knob rotation range is 1/3.	Focus limitation range for focus knob rotation range is 1/5.

* The focus range becomes narrow if Fine adjustment magnification is increased (focus limitation range becomes small).



5-7-6. Info screen

[Checking communication between demand and lens]

The communication status between the demand and the lens is displayed.

Indication Item	Connected	Non-Connected
Status	Demand and lens are connected	Demand and lens are not connected



[Checking software information]

The software information is displayed.



5-7-7. State screen

[Checking ON/OFF status of IS function]

ON/OFF status for IS function of the connected lens is displayed.

Indication Item	ON	OFF
Status	IS function is ON	IS function is OFF



[Checking ON/OFF status of function when either of FRLt/FFM1/FFM2/CRLt functions are assigned to EXEC switch]

ON/OFF status of function when either of FRLt (Focus Range Limit)/FFM1(Fine Focus Mode 1)/FFM2(Fine Focus Mode 2)/CRLt (Control Range Limit) functions are assigned to EXEC switch is displayed.

*When either of FRLt (Focus Range Limit)/FFM1(Fine Focus Mode 1)/FFM2(Fine Focus Mode 2)/CRLt (Control Range Limit) functions are not assigned to EXEC switch, '-' is displayed.



[Displaying ON/OFF status of Focus Preset function in Continuous mode]

ON/OFF status of Focus Preset function in Continuous mode is displayed.

After the operation of Focus Preset function, ON is displayed if the focus operation by knob operation can be continued from the focus position moved by the preset function.

Indication Item	ON	OFF
Status	Focus preset function in Continuous mode is ON	Focus preset function in Continuous mode is OFF



5-8. Indiction Range screen

Indiction Range screen is displayed by pressing Display switch only when either of FRLt (Focus range limit)/FFM1(Fine Focus Mode 1)/FFM2(Fine Focus Mode 2)/CRLt (Control Range Limit) functions are assigned to EXEC switch. Indiction Range screen can be used as a guide when each above-mentioned function is set.

[Description of indicators]

- Focus indicator (Indicating the control range which demand is output.)



Black part :Controllable range of focus
White part : Not controllable range of focus

*The left end indicates the telephoto end of the control and the right end indicates the widest end of the control in the setting when shipped from the factory. However, please note that the telephoto side and the wide side of the indicator are switched when the telephoto direction and the wide direction are switched by Reverse switch.

- Demand indicator (Indicating the demand position.)



Black part : Range that the focus control value is changed by the knob operation.
White part : Range that the focus control value is not changed by the knob operation.

- Present position indicator (Indicating the each present value by Focus indicator and Demand indicator.)



Black indicator : Indicator for the value that is restricted when the assigned function is effective
White indicator : Indicator for the value that is not restricted when the assigned function is effective

- Memory position index



Indicating the memory position which is set.

In the function that Memory position setting is necessary, Memory position is updated by pressing the switch in which the function that Memory position setting is necessary is assigned while pressing the switch in which MEMO function is assigned. While the switch in which MEMO function is assigned is pressed, Memory position index indicating the value to be stored next blinks.
(The blinking Memory position index can be switched by pressing the switch in which MEMO function is assigned alone.)

[Indicator for each assigned function]

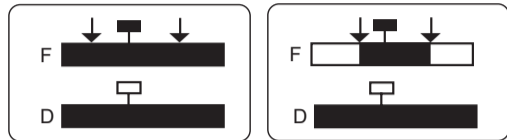
Focus Range Limit



Function is not effective Function is effective

Focus control value and the operation position value of the demand are stored at the same time, and a focus control range is limited corresponding to the knob operation position of the demand. Both Focus indicator and Demand indicator are displayed as the black present position indicator, and Memory position index is also displayed.

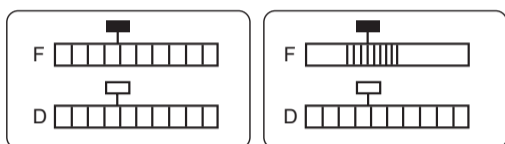
Fine Focus Mode 1



Function is not effective Function is effective

Focus control value is stored and a focus control range is limited so that the focus is controllable all over the demand knob operation position range. The black present position indicator and the black Memory position index are displayed in Focus indicator.

Fine Focus Mode 2



Function is not effective Function is effective

The controllable Focus control range is displayed as the fine grid according to the fine adjustment magnification set based on the present focus control value. The black present position is displayed in Focus indicator, and Memory position index is not displayed.

Control Range Limit



Function is not effective Function is effective

The knob operation position of the demand is stored, and the focus control value is limited so that the focus is controllable over the whole range in a knob operation range of the demand. The black present position indicator and the black Memory position index are displayed in Demand indicator.

GENERAL SAFETY INFORMATION

The safety warnings and cautions provided on the product or in this operation manual must be observed. Failure to observe these warnings and cautions provided to guard against hazards may result in injury or accident. Read this operation manual carefully to familiarize yourself with its contents and ensure that you can operate the product properly. Also, keep this manual in a safe place where it can easily be referenced whenever required.

This manual uses the following symbols and terms in the warning and caution notices for preventing accidents and protecting the safety of the customer and others.

WARNING	This indicates a potentially hazardous situation which, if not heeded, may result in death or serious injury to you or others. Be sure to heed all warning notices to ensure safe operation at all times.
CAUTION	This indicates a potentially hazardous situation which, if not heeded, may result in a minor injury to you or others, or damage to property. Be sure to heed all caution notices to ensure safe operation at all times.
NOTE	This indicates cautions and recommendations for operation. It contains information which, if not heeded, may result in this product failing to function properly. These notices also contain useful information for operation.

HANDLING THE PRODUCT

WARNING

- Do not get this product wet or allow liquid inside. If water gets inside, stop using the product immediately. Continuing to use the product under this condition may cause a fire or electric shocks.
- Be sure to hold the connector when disconnecting the cable. Pulling on the cable may sever or damage it and pose a risk of a fire or electric shocks from a short circuit.

CAUTION

- Be careful not to drop the product when carrying it. Dropping the product may cause injury.
- Ensure that all mountings are securely tightened. If a mounting becomes loose, parts may fall off and cause injury.
- Inspect mountings regularly (about every six months to one year) to ensure they are securely tightened. If a mounting becomes loose, parts may fall off and cause injury.

NOTE

- Striking or dropping the lens may cause the malfunction of the product.
- This product is not waterproof. Take measures to avoid direct contact with rain, snow, or moisture. Otherwise it may cause the malfunction of the product.
- In dusty environments, cover the product when attaching or removing the product. If dust enters inside, it may cause the malfunction of the product.
- Before use in particular environments, such as places where chemical products are used, contact your Canon sales representative or dealer. Otherwise it may cause the malfunction of the product.

DEALING WITH ABNORMALITIES

WARNING

If any of the following situations occurs, immediately disconnect the power plug from the power outlet and contact your Canon sales representative or dealer.

- Smoke, fumes, or unusual noises
- Entry of foreign objects (such as liquid or metal objects) inside the product

MAINTENANCE AND INSPECTION

WARNING

Be sure to disconnect the cable and remove the lens from the camera before cleaning outside of the lens. Do not use benzene, thinner, or other flammable substances to clean the product. Otherwise it may cause a fire or electric shocks.

NOTE

Routine inspection about once a year is recommended, depending on the conditions and environment of use. Request overhaul, if needed.

STORAGE

NOTE

Immediately wipe off any moisture on the lens from misty or foggy environments, using a dry cloth. Seal the lens in a plastic bag with a desiccant (preferably new) to prevent moisture inside. Otherwise it may cause the mold or the malfunction of the product.

TO THE CUSTOMER

- Canon shall bear no responsibility for damage resulting from improper operation of this product by the customer.
- Canon shall make no guarantees about the product quality, functions, or operation manual and its marketability and suitability for the customer's purpose. Moreover, Canon shall bear no responsibility for any damage, direct or incidental, that results from usage for the customer's purpose.
- The product specifications, configuration, and appearance are subject to change without prior notice.
- For further information on repairs, maintenance, or adjustments not mentioned in this operation manual, contact your Canon sales representative or dealer.
- Note that Canon may be unable to undertake servicing or repair of a product if it is modified without consulting Canon or your Canon sales representative.

All rights reserved. No part of this operation manual may be reproduced or copied in any form or by any means without the written permission of Canon Inc.